

Thermofit Molded Parts[®]

Specification Control Drawing

Part Number : 322A514
 Description : Transition, 90°, Side Breakout, Thinwall

NOTES

- All dimensions are in $\frac{\text{inches}}{\text{millimeters}}$
- Dimensions appearing in table are as follows:
 a - As Supplied
 b - After Unrestricted Recovery
- Coating is optional. As supplied dimensions appearing in table are for uncoated parts. When coating is added, entry diameters will be reduced by .06 max.
- When molding parts are specified as -00 modification they will be located as shown.

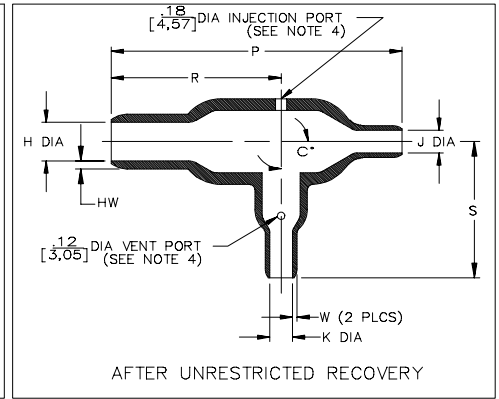
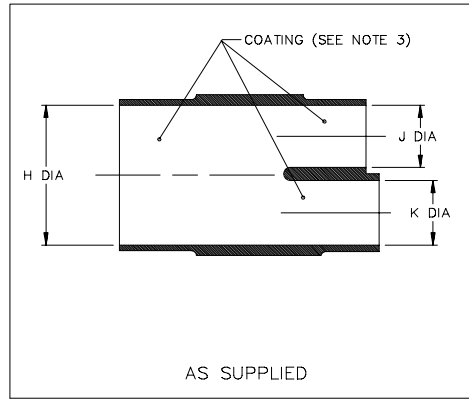


TABLE OF DIMENSIONS

PART NUMBER	H		J & K		P ±10% b	R ±10% b	S ±10% b	W ±20% b	HW ±20% b	C*	
	Min a	Max b	Min a	Max b						±10° a	±5° b
322A514	1.20 [30,5]	.60 [15,2]	.70 [17,8]	.35 [8,9]	3.20 [81,3]	1.87 [47,5]	1.50 [38,1]	.05 [1,27]	.09 [2,29]	15	90

Raychem

RAYCHEM CORPORATION
 300 CONSTITUTION DRIVE
 MENLO PARK, CALIFORNIA 94025
 (415) 361-6055

Revision : C
 Date : 8/09/90

Part Number : 322A514
 Description : Transition, 90°, Side Breakout, Thinwall

CAD FILE MP90210

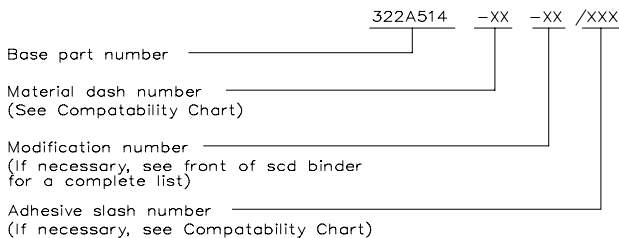
Thermofit Molded Parts[®]

Specification Control Drawing

Part Number : 322A514
 Description : Transition, 90°, Side Breakout, Thinwall

MATERIAL DASH NO.	MATERIAL DESCRIPTION	RT SPEC	COATING SLASH NO.	COATING S NO.	COATING DESCRIPTION
-3	Polyolefin, Semi-Rigid	RT-301	/42;/86	S-1017;S-1048	Adhesive
-4	Polyolefin, Flexible	RT-1304	/42;/86	S-1017;S-1048	Adhesive
-5	Neoprene	RT-501	N/A		
-6	Silicone	RT-602	N/A		
-25	Elastomer, Fluid Resistant	RT-1325	/86	S-1048	Adhesive
-52	Nuclear Molding Cmpd., Poly	RT-1508	N/A		

ORDERING INFORMATION



THIS DRAWING IS SUBJECT TO CHANGE WITHOUT NOTICE; CONSULT YOUR NEAREST FIELD REPRESENTATIVE FOR CURRENT REVISION

If this document is printed it becomes uncontrolled.
 Check for the latest revision.

Raychem

RAYCHEM CORPORATION
 300 CONSTITUTION DRIVE
 MENLO PARK, CALIFORNIA 94025
 (415) 361-6055

Revision : C
 Date : 8/09/90

Part Number : 322A514
 Description : Transition, 90°, Side Breakout, Thinwall